

PEGAS[®]

DRIVE FILLER

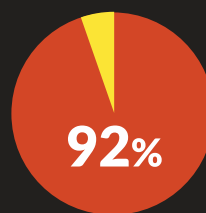
Advanced Pressurized
Filling Technology
For Plastic Bottles

Drive Filler Features:

- New ergonomic design
- Quick installation in 5 mins
- Stop valve for quick gas line service
- No tools needed for service
- Fast-releasing universal bottle holder
- Ready to expand with a traditional tap

Counter Pressure Filling:

- Eliminates oxygen
- 30-45 days of shelf life*
- No foam / No mess
- Less than 2% waste
- Fits several bottle sizes
- Easy operation



■ PEGAS
■ Regular tap

In an independent survey conducted by
The Growler Station, of those surveyed

92%

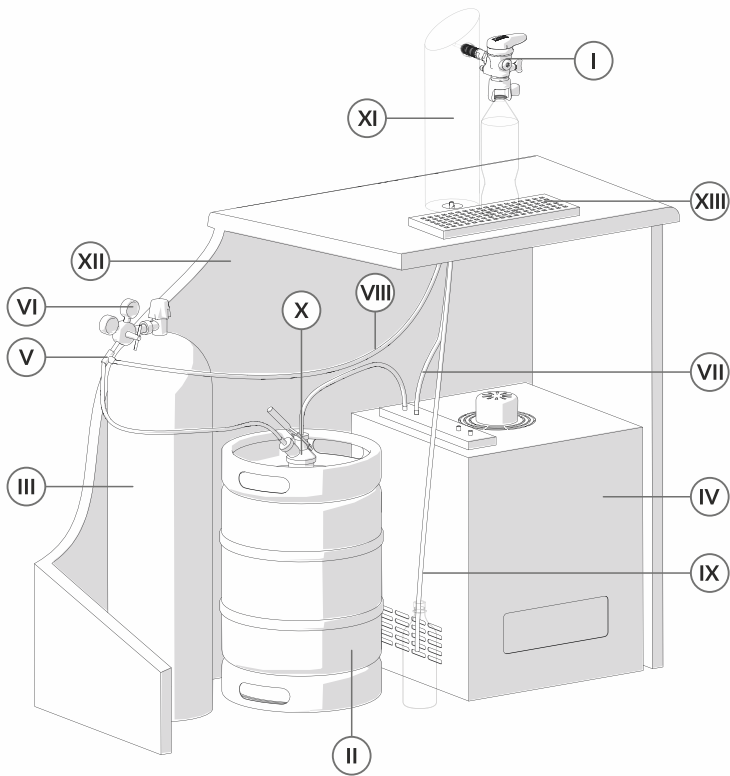
prefer the taste of the beer in growlers filled
with the Pegas filler vs. from a regular beer
tap early as 4 days after being filled.

BY  NPM

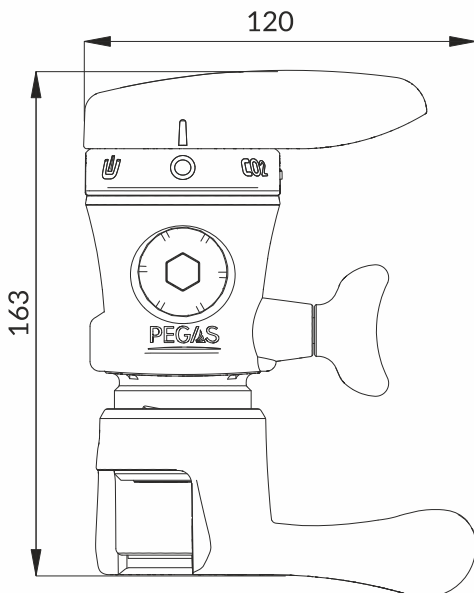
NPM International, Ltd.
630108, Russian Federation, Novosibirsk
phone: +7 (383) 211-90-49
e-mail: pegas@beerinnovations.com
www.beerinnovations.com

PEGAS®

Drive filler



- | | |
|--|----------------------|
| I PEGAS Drive Filler | VII Beer supply hose |
| II Beer keg | VIII Supply hose |
| III Gas cylinder with pressure regulator | IX Drain hose |
| IV Cooler | X Keg coupler |
| V T-fitting | XI Beer tower |
| VI Pressure regulator | XII Table top |
| | XIII Drip tray |



Technical Data

Filling capacity depends on temperature, beer quality, and operator experience	45-120 L/h
CO ₂ Pressure to keg	1.5-2.5 bar
3 pcs of a hose for connection of beer, CO ₂ and drainage lines. extern. diam. 12 mm, intern. diam. 7 mm clamps.	
Outside supply hose dia.	12 mm
Inside supply hose dia.	7 mm

Bottle requirements

Plastic bottles

- Compatible with bottle neck
PCO 1810 = 21mm
PCO 1881 = 17mm
BPF = 23mm
- It must withstand the pressure of 3 bar



Plastic Growlers

- 1.89L (64 oz) popular size in the U.S. An adapter ID 141901 is required.
- For different shapes and sizes of growlers, a customized adaptor is required.



- *For 30-45 – day beer shelf life and better customer satisfaction, we recommend:
- 1) To use air barrier bottles.
 - 2) To do general cleaning and sanitizing of the equipment, beer lines, accessories.
 - 3) To use air tight caps.
 - 4) To use a clean bottle.
 - 5) To keep the workplace clean.
 - 6) Pure CO₂.

